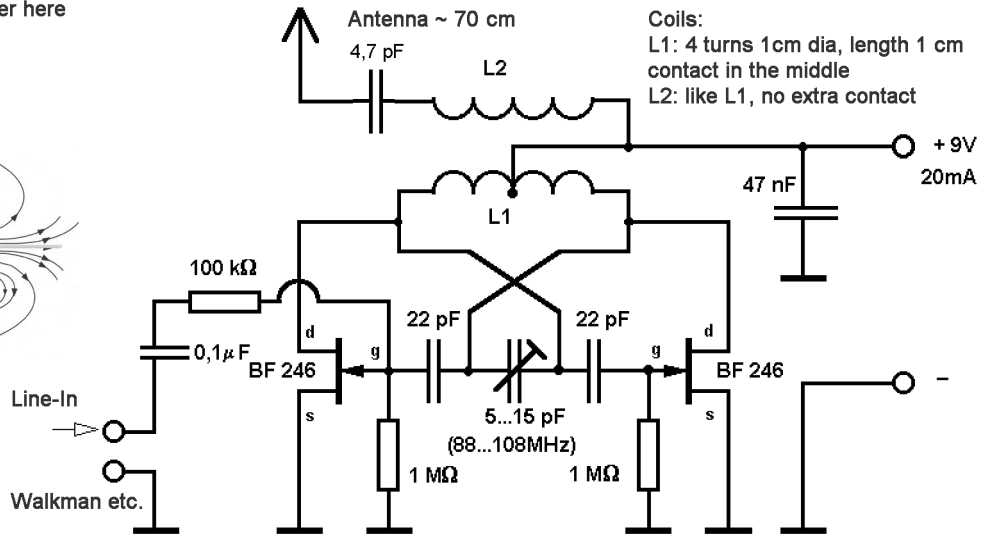
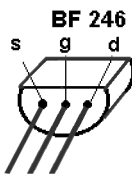
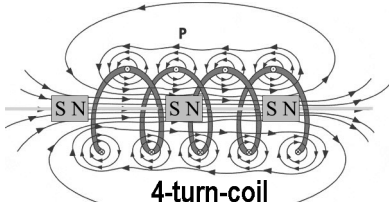
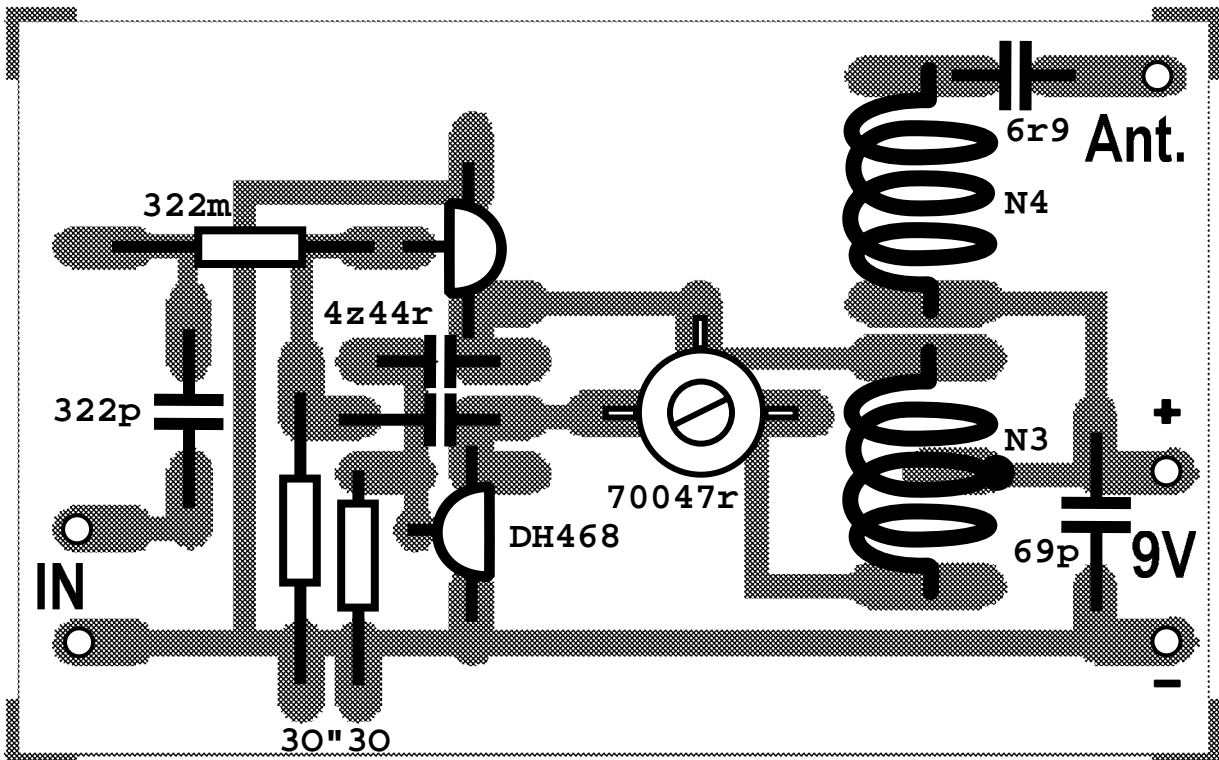
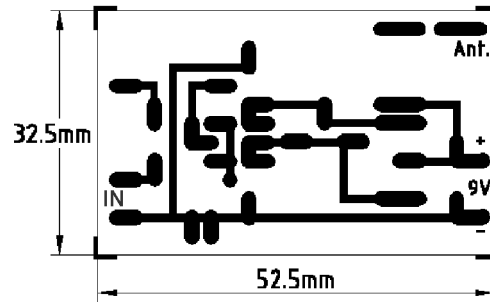


# fm-tRANS



## Partslist:

BF 246	Transistor:	2	
1M	Resistor:	2	
100k	Resistor:	1	
4,7pF	Ceramic Capacitor:	1	
22pF	Ceramic Capacitor:	2	
47nF	Foil Capacitor*:	1	* non-critical
100nF	Foil Capacitor*:	1	
9V connector:		1	
silverplated wire			
circuit board, pcb:		1	
) "8) d: "j U]UVY7 UdUW]rcf""%			



"fm-tRANS"

PRELIMINARY GRAPH FOR PIKSEL Bergen  
Jo frgmt Grys / tob.de.vu / 2007  
Transmitting Object Behaviors