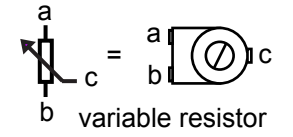
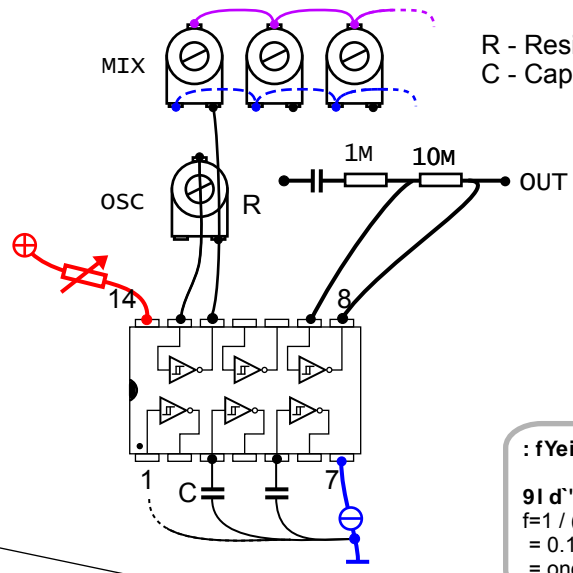
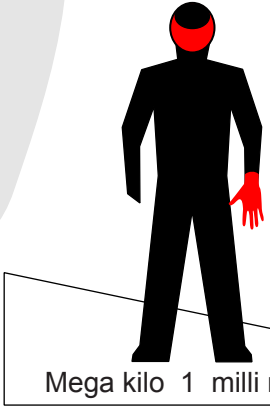


**:Jj Y HfajBU g**  
 + Power  
 - Power = Mass  
 CLEAN  
 Hand IN  
 Hand Out

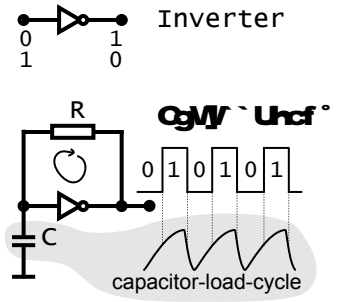
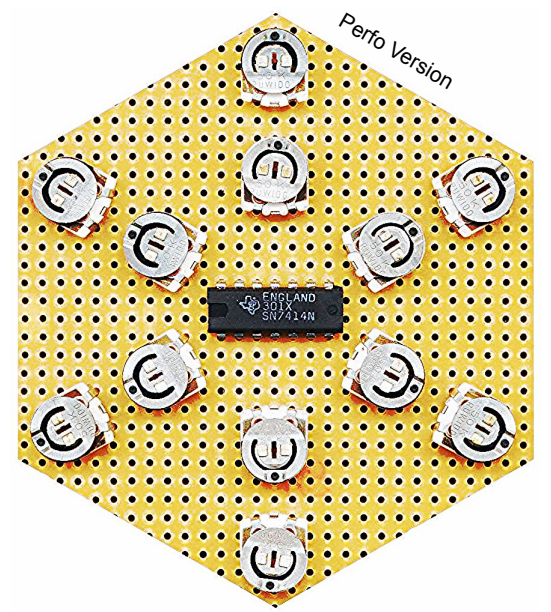
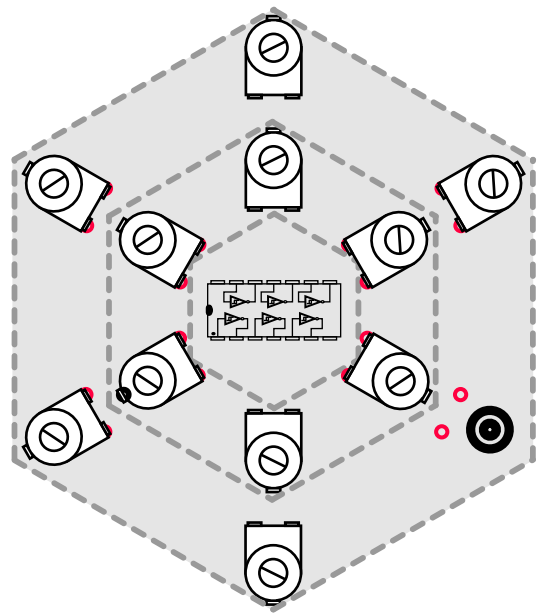
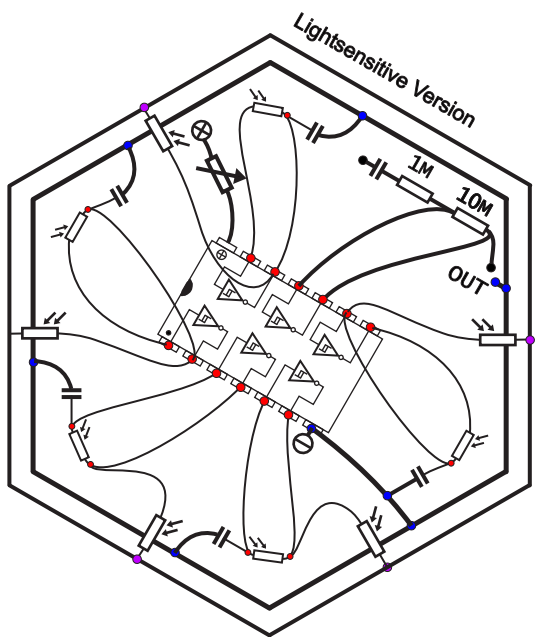


Hex CMOS Inverters' Dck Yf'Gi dd'm  
 74AC14 2..6V, 7V max  
 74HC14 2..6V, 7V max  
 40106 3..18V

**: fYeI YbWnIZ = 1 / 0.8 \* RC in Hz**  
**9l d''R=1M, C=10µF**  
 $f=1 / (0.8 * 1000000 * 0.00001)$   
 = 0.125 Hz  
 = once every 8 secs, when pot on max



# Special-Noise-Unit



**"S-N-U"**  
 PRELIMINARY GRAPH FOR DEAF Rotterdam  
 Jo frgmt GryS / tob.de.vu / 2007  
 Transmitting Object Behaviors